

**DESCRIPTION**

The CX Commercial Lighting Control Panels Dimming Card is shipped individually from the CX Panel. The following information describes the CXDIMCONTRBD installation. For programming information, refer to the "CX Panel Programming Guide" provided as a separate document with the Panel.

The CXDIMCONTRBD Dimming Card is designed to work with both existing and new CX panels.

CX04 & CX 08 Series Panels – Support One Dimming Card

CX16 Series Panels – Supports up to Two Dimming Cards

CX24 Series Panels – Supports up to Three Dimming Cards

Note: On some legacy CX Panels it may be possible to only install one dimming card due to board orientations.

**PRECAUTIONS**

- READ AND FOLLOW ALL SAFETY INSTRUCTIONS.
- CAUTION - RISK OF ELECTRICAL SHOCK. To prevent electrical shock, turn off power at the circuit breaker before installing or servicing unit. Never wire energized electrical components.
- NOTICE: For installation by a licensed electrician in accordance with National and/or local Electrical Codes and the following instructions.
- CAUTION: USE COPPER CONDUCTOR ONLY.
- Be sure to read and understand all instructions before installing or servicing unit
- For Indoor use only. Do not use outdoors.
- Do not mount near gas or electric heaters.
- Disconnect switch or a circuit breaker must be provided and marked as the disconnecting device.
- The use of accessory equipment not recommended by the manufacturer may cause an unsafe condition.
- Confirm that device ratings are suitable for application prior to installation.
- No user serviceable parts contained inside unit. Refer all service related questions to the factory.
- All servicing shall be performed by qualified service personnel.
- Equipment should be mounted in locations and at heights where it will not readily be subjected to tampering by unauthorized personnel.
- Use only approved materials and components (i.e. twist on connectors, electrical box, etc.) as appropriate for installation.
- NOTICE: Do not install if product appears to be damaged.
- If the equipment is used in a manner not specified by the manufacturer, the protection provided by the equipment may be impaired.
- Do not use this equipment for other than intended use.

**SAVE THESE INSTRUCTIONS!****INSTALLING INDIVIDUAL DIMMING CARDS**

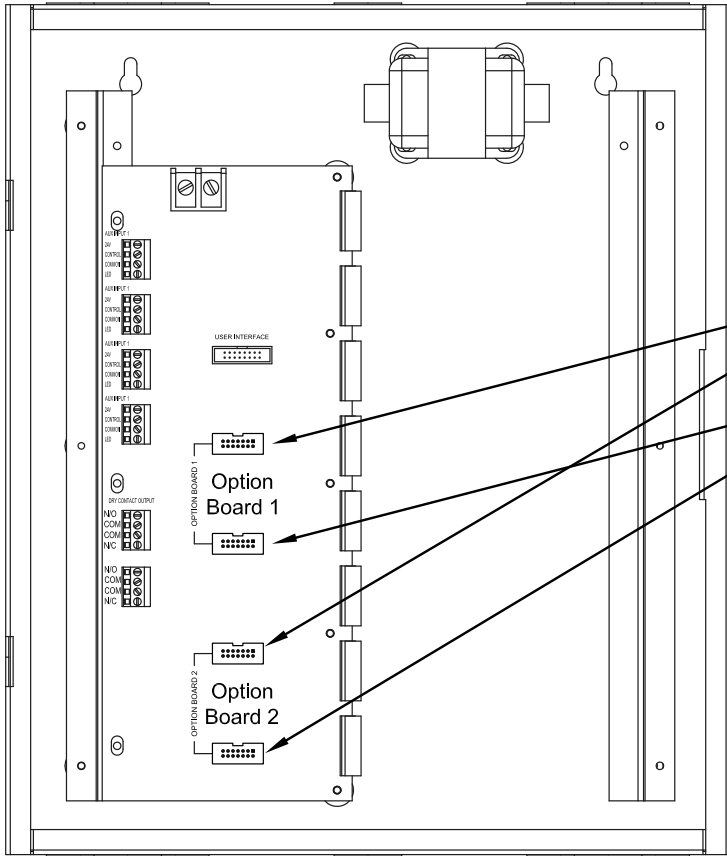
Caution: ALWAYS remove supply power to the Panel control Transformer prior to making any connections between dimming boards and panel processor board. Failure to do so may result in personnel injury, damage to the panel, and void its warranty

Verify Firmware. If installing the card into an existing panel, it is most likely the firmware will need to be upgraded for the panel to function correctly with the dimming card. Please contact Technical Services at HBA-CAD@hubbell-automation.com or 1-888-698-3242.

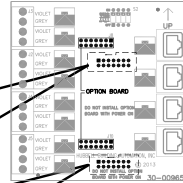
Disconnect power from the panel. Remove the CXDIMCONTRBD from its packaging. Review the connector on the back of the card. You must align the card so that the keying symbol aligns correctly with the CX Panel board. In some retrofit installations the CXDIMCONTRBD may actually be installed upside down.



Locate Option connectors on CX CPU Board. Verify Key alignment and firmly press board into place.

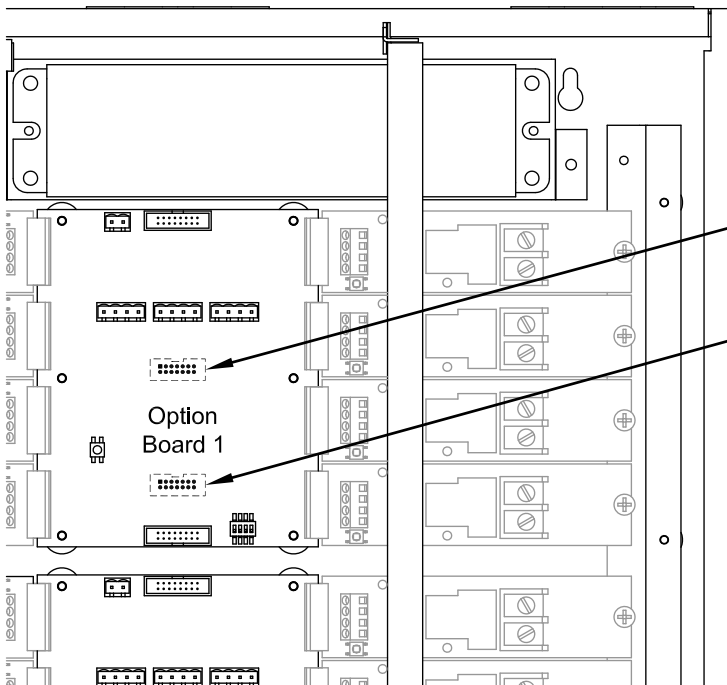


**CX Dimming Option Card**

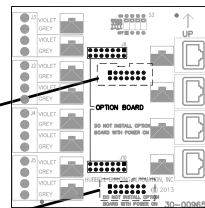


Orientate the Keyed Template located on the CX Dimming Option Board to the Keyed Template on the Mother Board of the CX Panel. Choose either the 1 or 2 location. No more than 1 CX Dimming Option Card can be placed on any one motherboard.

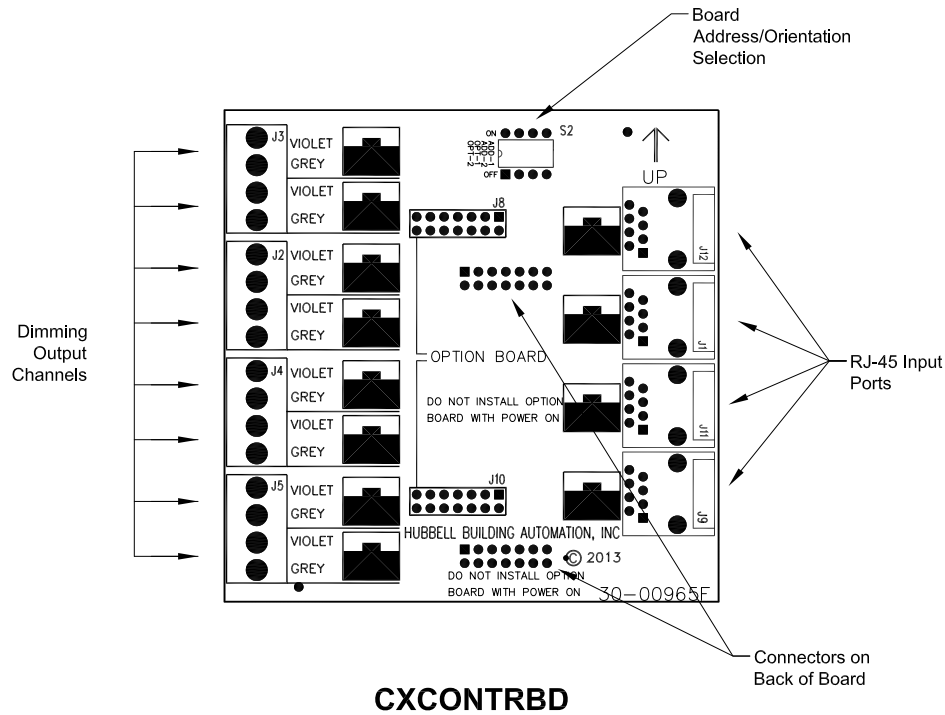
CX16/24 (Note -On the CX16 the third CPU board and relays 17-24 are not present).



**CX Dimming Option Card**



Orientate the Keyed Template located on the CX Dimming Option Board to the Keyed Template on the Mother Board of the CX Panel. Choose either the 1, 2 or 3 location. No more than 1 CX Dimming Option Card can be placed on any one motherboard.



## CXCONTRBD

### S2 SETTINGS

The board orientation may be different depending on the version of CX panel. In order to accommodate this, the user may set the Dimmer and Inputs to align correctly when mounted upside down in older CX Panels. SW1 and SW2 will set the orientation. Since the board is designed to work with up to three installed in a panel, each board should have a unique address programmed via SW3 and SW4.

SW1 - ON = Reserved, do not change

SW2 - ON = Reserved, do not change

SW3 - ON = Board address 1 or 2, OFF = board address 3 or 4

SW4 - ON = Board address 1 or 3, OFF = board address 2 or 4

### DIMMING CHANNEL CONNECTIONS

To connect the low voltage dimming inputs, do the following:

1. Bring the low voltage wiring for the dimming circuits in through the knockouts in the low voltage wiring area. Circuits are software configurable through programming. Each dimming channel is capable of sinking 30mA.
2. Terminate the gray and purple wires from the dimming driver/ballast to the appropriate terminals using 16-18 AWG wire.

### SWITCH INPUT CONNECTION - RJ45 PORTS

Zone 5 Switches may be connected to the dimming card using standard Cat 5 cables with RJ45 jacks. Each port is configurable through programming. Each RJ45 port supports up to 5 daisy chained switches.

Note, this instruction manual only addresses the CXDIMCONTRBD installation. For further installation and programming information, please refer to the CX Panel Installation and programming Instructions.