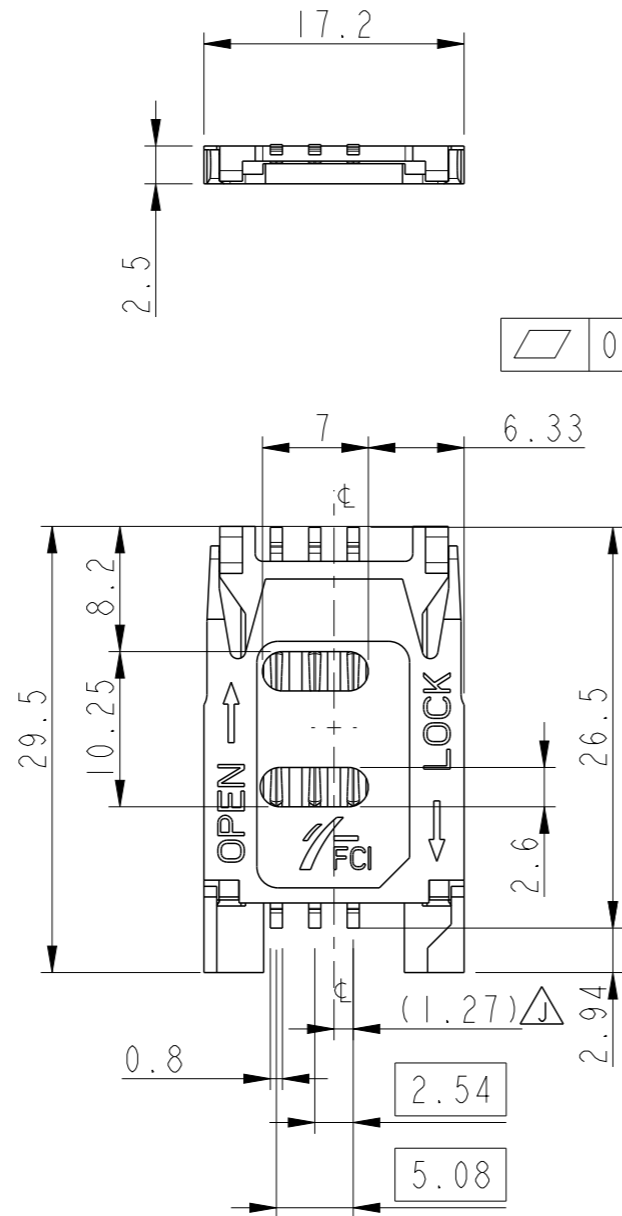
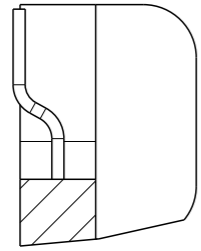


DETAIL F
SCALE 10:1

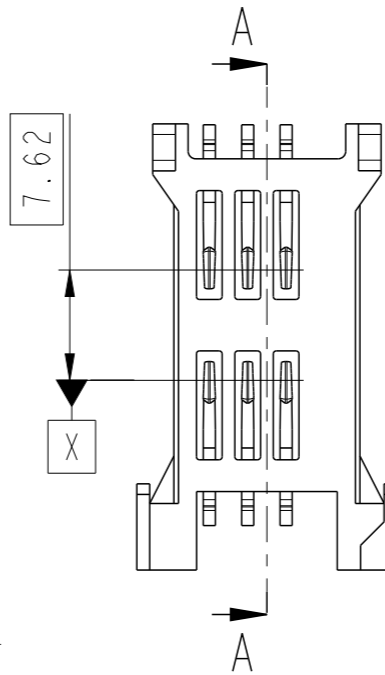
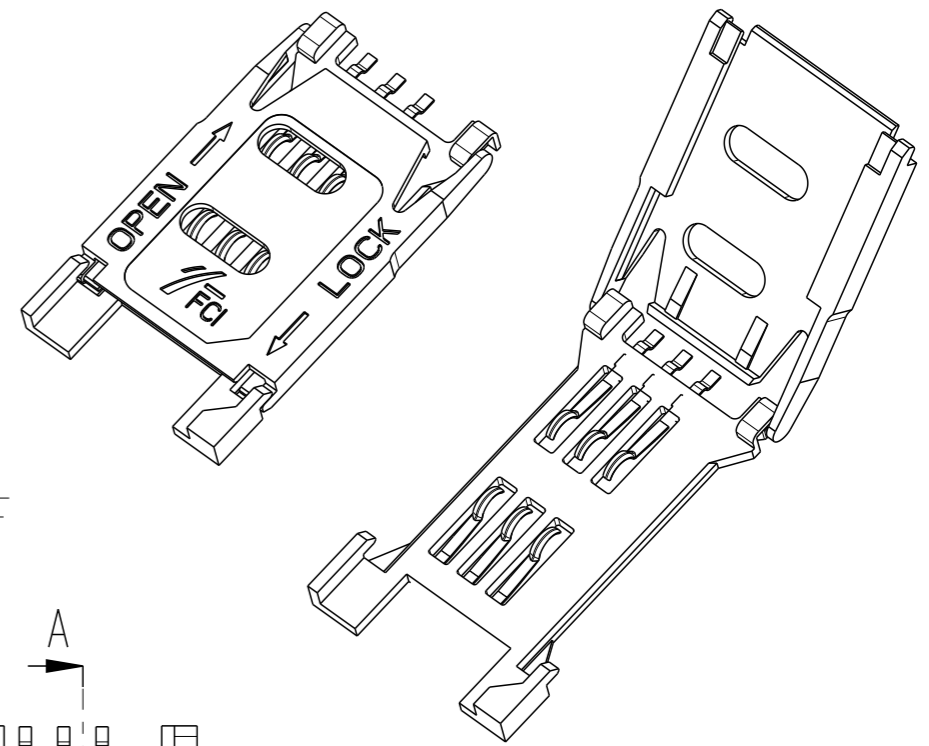


0.1

SEE DETAIL F

SECTION A-A

SEE NOTE SHEET 2

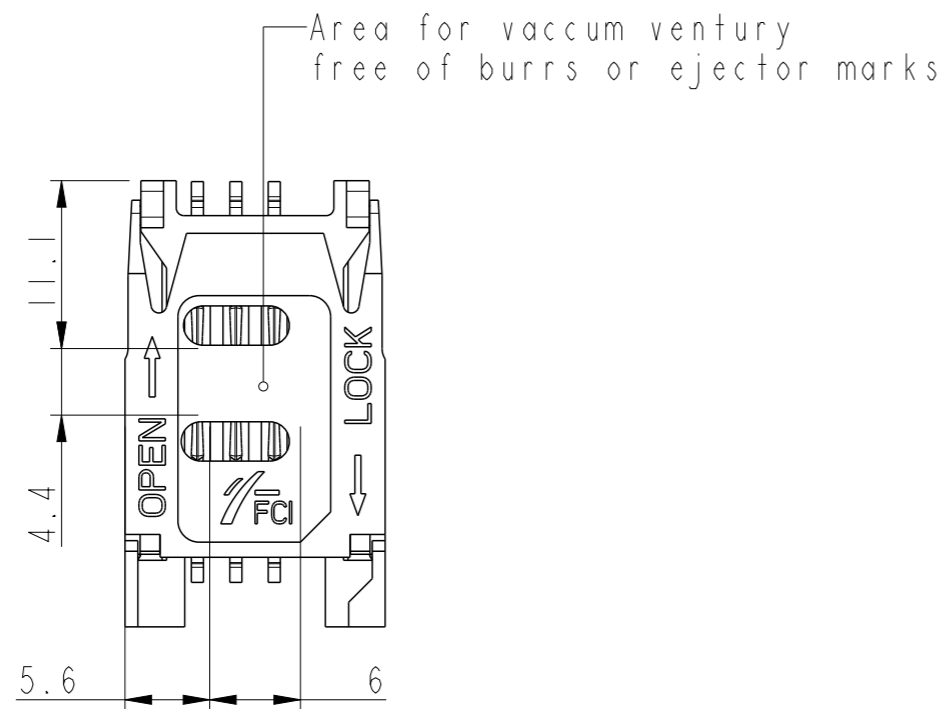


General Tolerances	
0 to 10mm:	±0.1mm
10 to 25mm:	±0.15mm
25 to 60mm:	±0.2mm
60 and more:	±0.3mm

PART NUMBER	LF PART NUMBERS
7111S2015X02	7111S2015X02LF

rev	ecn no	dr	date
J	111-0173	NPM	2011/10/14
-	-	-	-
D	105-0155	NT	2005/09/05
E	106-0084	SSC	2006/06/21
F	107-0012	SSC	2007/01/22
G	108-0051	SSC	2008/04/07
H	109-0155	SSC	2009/08/03

www.fciconnect.com		surface -- ✓ ISO 1302	tolerance std ISO 406 ISO 1101	projection mm
TOLERANCES UNLESS OTHERWISE SPECIFIED				
Dr	L.VUILLEMIN	1998/09/01	ANGULAR	0.X ±
Eng	G.GAMACHO	1998/09/01	LINEAR	0.XX ±
Chr	NEBU PM	2011/10/14	0° ±°	0.XXX ±
Appr	SUDHIR V.	2011/10/14	Product family	MOBILE I/O
			Spec ref	--
FCi			title	SIM ASSY WITH COVER CLOSED
			dwg no	VJW54355
			Rev.	J
			catalog no	see table
			CUSTOMER	sheet 1 of 2



NOTES:

A -MECHANICAL PROPERTIES:

housing material: High Temp. Thermoplastic colour black, rated UL94V0

Contacts material: Copper Alloy

Contacts plating:

Contact area: Au over Ni / Equivalent GXT

Solder area: Matte Tin over Ni

Bare edge allowed.

Durability: 10000 mating cycles

Contacts force: 0.5 N MAX at maximum deflection

B -ELECTRICAL PROPERTIES:

Contact resistance: <100mΩ

Insulation resistance: >1000MΩ

Dielectrique withstanding voltage: >=1000Vrms

Current carrying capacity: min 10uA, MAX 1A

Voltage U5: 5V ±0.1V with R=560Ω

C- ENVIRONMENT:

Operation temperature range: -40°C to +90°C

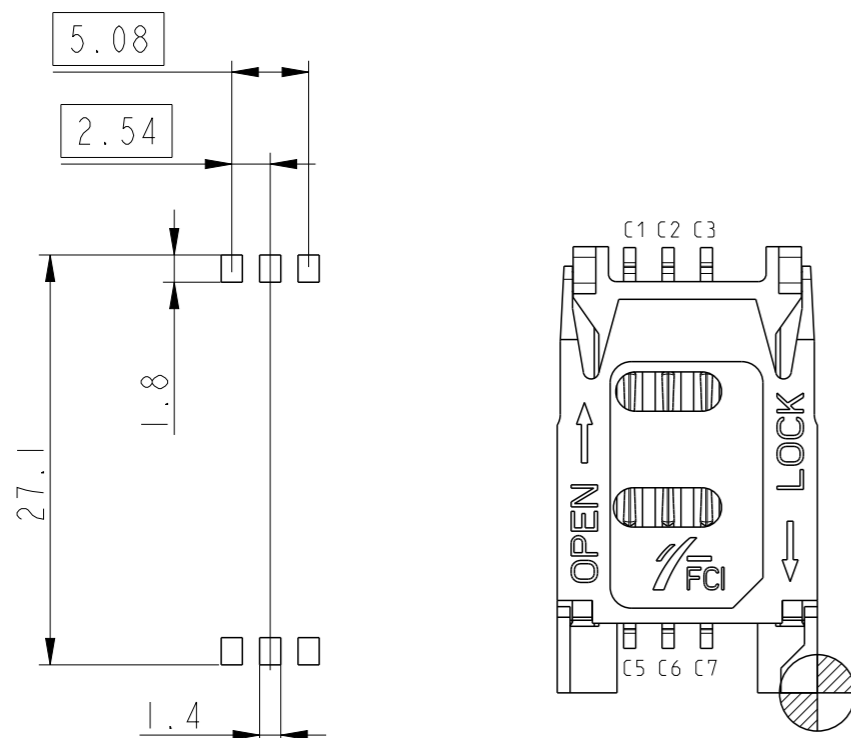
D -PACKAGING:

Tape and Reel

E -APPLICABLE DOCUMENT:

Standard: card standard ISO 7810 , ISO 7816 , GSM 11.11

RECOMMENDED PCB LAYOUT



LEAD FREE VERSION:

"This product meets European Union Directives and other country regulations as described in GS-22-008"

The housing will withstand exposure to 260°C peak temperature for 10seconds in a convection reflow oven.

General Tolerances	
0 to 10mm:	±0.1mm
10 to 25mm:	±0.15mm
25 to 60mm:	±0.2mm
60 and more:	±0.3mm

www.fci.com		surface -- ✓ ISO 1302	tolerance std ISO 406 ISO 1101	projection mm
TOLERANCES UNLESS OTHERWISE SPECIFIED				
Dr	L.VUILLEMIN	1998/09/01	ANGULAR	0.X ±
Eng	G.GAMACHO	1998/09/01	LINEAR	0.XX ±
Chr	NEBU PM	2011/10/14	0° ±°	0.XXX ±
Appr	SUDHIR V.	2011/10/14	Product family	MOBILE I/O
FCi			size	A3
SIM ASSY WITH COVER CLOSED			ECN	111-0173
S20			Spec ref	--
catalog no			see table	CUSTOMER
dwg no			VJW54355	Rev. J
			sheet 2 of 2	