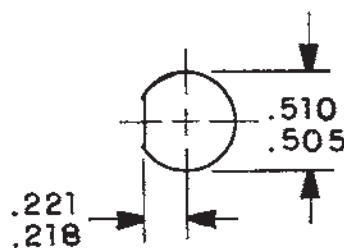
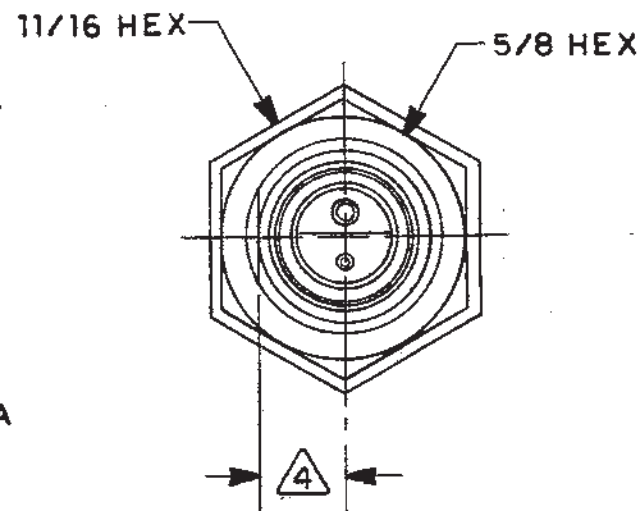
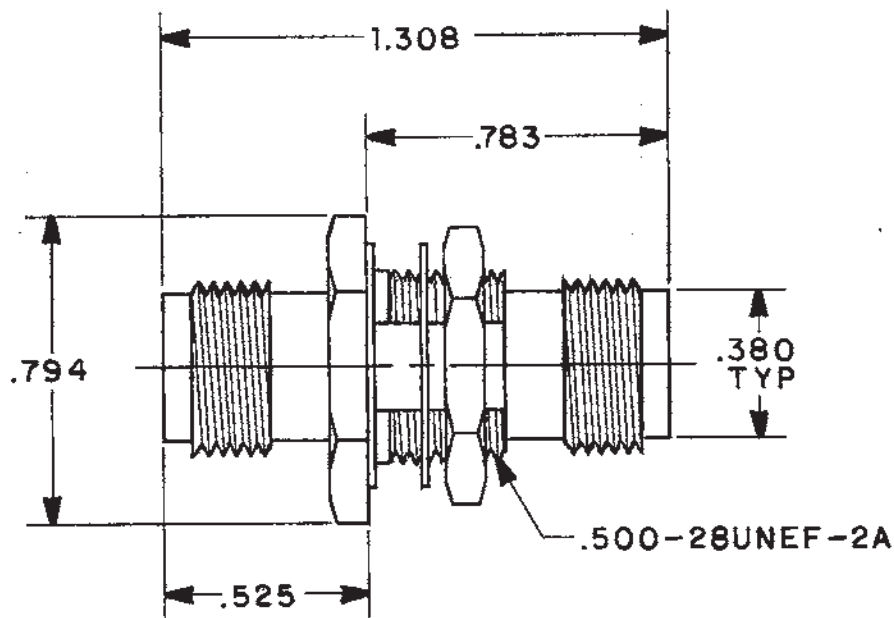


DATA CONTAINED IN THIS DOCUMENT IS PROPRIETARY TO TROMPETER ELECTRONICS INC. AND SHALL NOT BE DISCLOSED, COPIED OR USED FOR PROCUREMENT OR MANUFACTURE WITHOUT EXPRESS WRITTEN PERMISSION.

REV		EO	DESCRIPTION	DWN	APPROVED	DATE

2000-0030 SH 1

INCH	MM
.160	4.06
.218	5.54
.221	5.61
.380	9.65
.505	12.83
.510	12.95
.525	13.34
.783	19.89
.794	20.17
1.308	33.22



RECOMMENDED
PANEL CUTOUT
SCALE: NONE

4 CONTACTS, INSULATOR & "D" FLAT SHALL BE ORIENTED WITHIN $\pm 3^\circ$ OF ORIENTATION SHOWN

3. MAX PANEL THK .160

2. FINISH: TFS-1A (NICKEL)

1. ALL DIM ARE REF IN INCHES

QTY	DESCRIPTION		PART NUMBER	ITEM				
TOL UNLESS SPECIFIED		 TROMPETER RF connectivity <small>a cinch connectivity solutions brand</small>	BJ338					
.XX	±							
.XXX	±							
.XXXX	±							
ANGLES ±		DWN	LSM	11-26-84	MATERIAL	CODE IDENT	DRAWING NO.	REV
		CHK	BC	12-5-84		14949	2000-0030	
		ENGR	TW	12-11-84				
NEXT ASSY		APPR			SCALE 2/1	DATE 12-13-84	SHEET 1 OF 2	