

FBL12G (120[□] x 38^L)



EMINEBEA.COM

General Specifications

Allowable Ambient Temperature Range:

- 10°C ~ +70°C (65%RH) (Operating)
- 40°C ~ +75°C (65%RH) (Storage)
- (non-condensing environment)

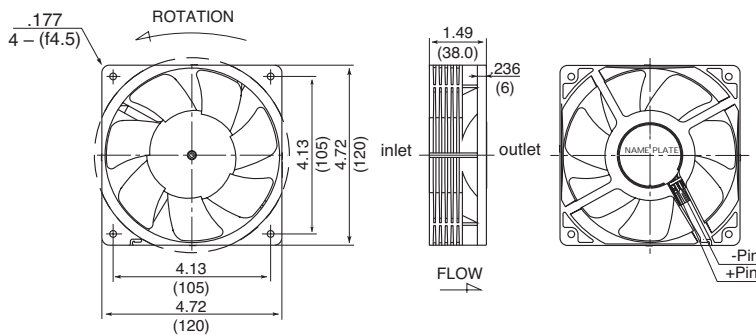
Expected Life

Failure Rate: 10%

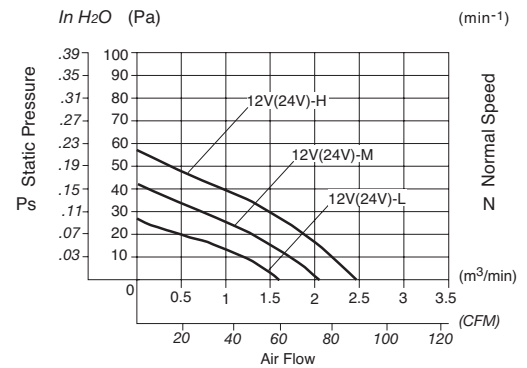
- 30,000 Hours (25°C, 65%RH)
- 10,000 Hours (70°C, 65%RH)

Outline

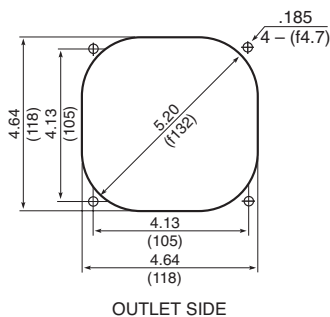
Units: $\frac{\text{inch}}{\text{mm}}$



Characteristic Curves



Panel Cut-outs



Material

Bearing: Hydro Wave Bearing

Specifications

MODEL	Rated Voltage	Operating Voltage	Current	Input Power	Rated Speed	Max. Air Flow		Max. Static Pressure		Noise	Mass
	(V)	(V)	(A) ^{*1}	(W) ^{*1}	(min ⁻¹) ^{*1}	CFM ^{*1}	(m ³ /min) ^{*1}	in H ₂ O	(Pa) ^{*1}	(dB) ^{*1}	(g)
FBL12G 12L	12	7.0 ~ 13.8	170	2.04	1700	68.9	1.94	.13	32.4	30.0	270
FBL12G 12M	12	7.0 ~ 13.8	280	3.36	2100	86.5	2.45	.18	47.1	35.5	270
FBL12G 12H	12	7.0 ~ 13.8	370	4.44	2500	103.8	2.94	.26	66.7	41.5	270
FBL12G 24L	24	14.0 ~ 27.6	86	2.30	1700	68.9	1.95	.13	32.4	30.0	270
FBL12G 24M	24	14.0 ~ 27.6	124	2.98	2100	86.5	2.45	.18	47.1	35.5	270
FBL12G 24H	24	14.0 ~ 27.6	200	4.80	2500	103.8	2.94	.26	66.7	41.5	270

Rotation: Clockwise

Airflow Outlet: Air Out Over Struts

*1: Average Values in Free Air