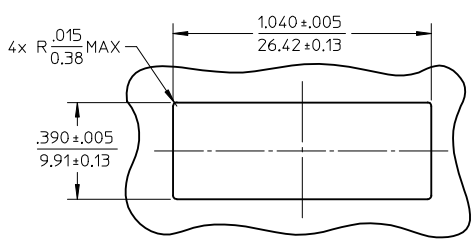
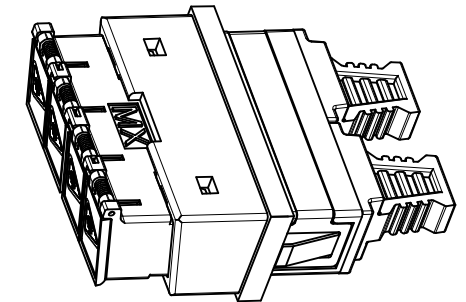
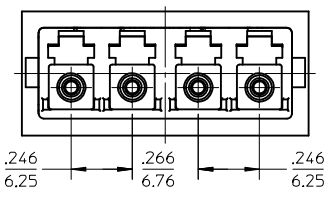
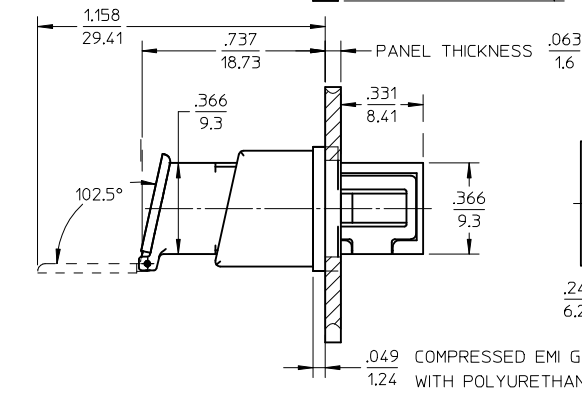
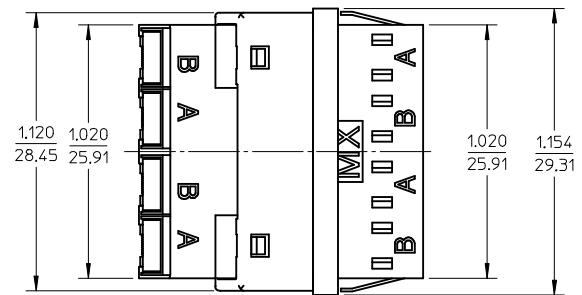
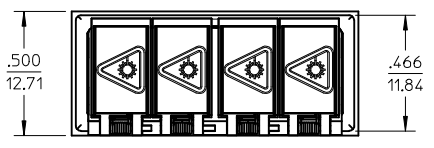


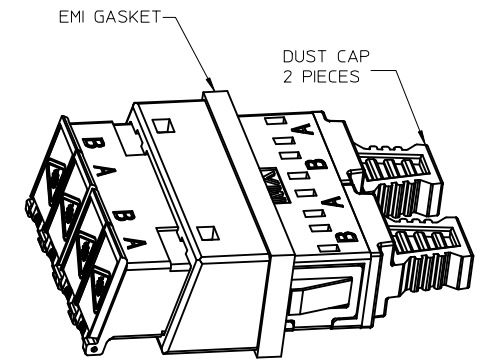
E 10 9 8 7 6 5 4 3 2 1



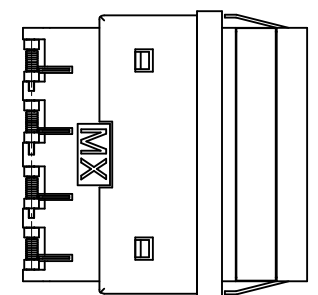
RECOMMENDED MOUNTING PATTERN



ISO VIEW 2



ISO VIEW 1



- NOTES:
1. ALL DIMENSIONS ARE FOR REFERENCE EXCEPT WHEN MARKED WITH (*).
 2. CUSTOM GASKET PER BIVIO NETWORKS APPLICATION.
 3. DUST CAPS NOT SHOWN ON FRONT, BOTTOM AND RIGHT VIEW.
 4. LC QUAD ADAPTER HAS SC DUPLEX ADAPTER FOOTPRINT.

ENTER DESCRIPTION EC NO: MF2013-0549 DRAWN: KPEVZNER 2013/03/04 CHKD: APPR: IGUMIN 2013/03/07 A3	QUALITY SYMBOLS F/0 F/0 F/0	GENERAL TOLERANCES (UNLESS SPECIFIED)		DIMENSION STYLE IN/MM	SCALE 2:1	DESIGN UNITS INCH	THIRD ANGLE PROJECTION	
		4 PLACES ± --- ± ---	DRAWN BY JSZEWczyk	DATE 2008/10/29	TITLE LC EMI QUAD ADAPTER SNAP MOUNT			
		3 PLACES ± --- ± ---	CHECKED BY	DATE				
		2 PLACES ± --- ± ---	APPROVED BY IGUMIN	DATE 2010/02/23	MATERIAL NO. 1061230505	DOCUMENT NO. SD-106123-0505	SHEET NO. 1 OF 1	
ANGULAR ± ---° DRAFT WHERE APPLICABLE MUST REMAIN WITHIN DIMENSIONS		THIS DRAWING CONTAINS INFORMATION THAT IS PROPRIETARY TO MOLEX INCORPORATED AND SHOULD NOT BE USED WITHOUT WRITTEN PERMISSION						

ib_frame_B_P_AM_T Rev. G 2012/01/11 9 8 7 6 5 4 3 2 1